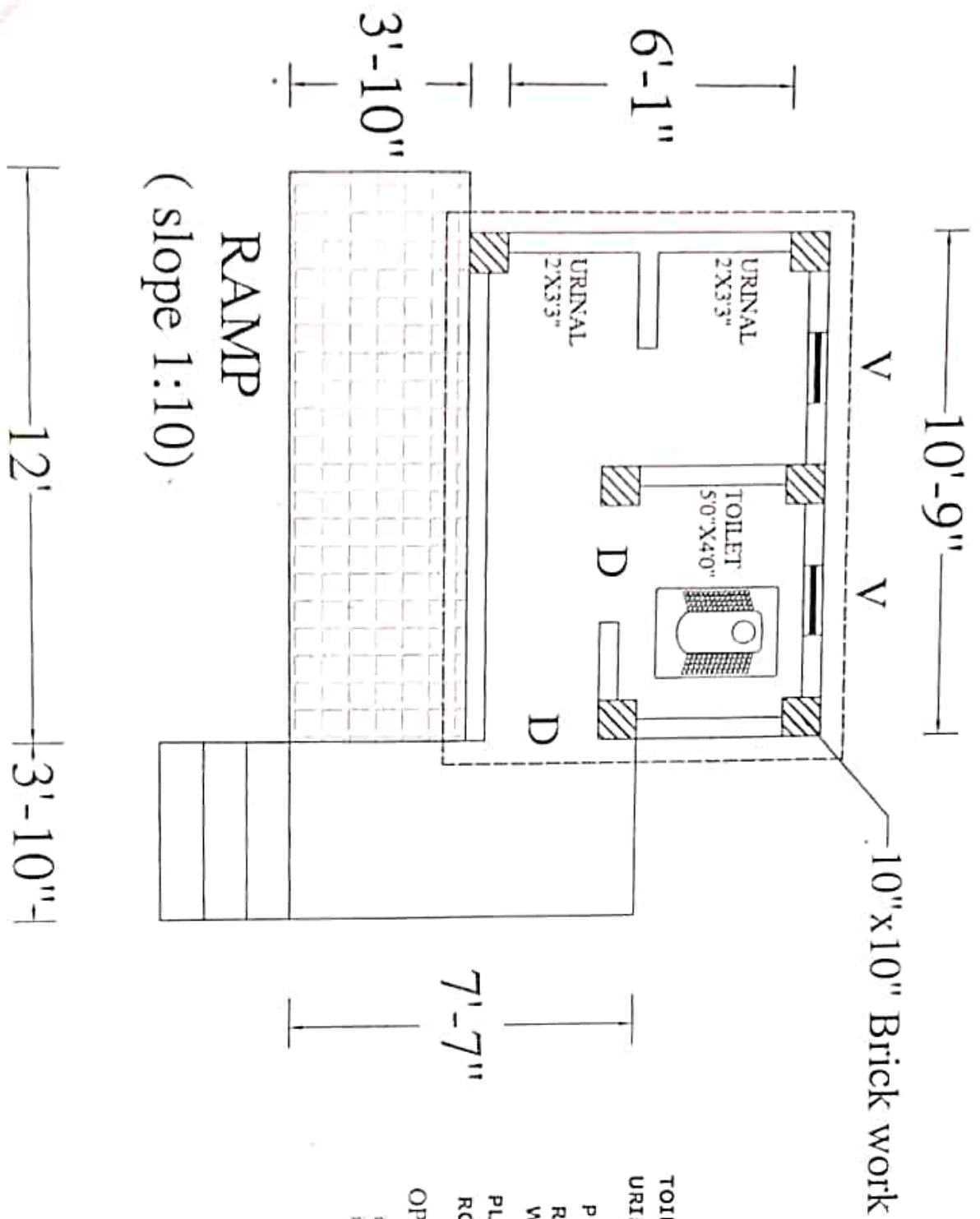


PLAN OF SINGLE UNIT TOILET WITH URINAL



TOILET SIZE = 5'0" X 4'0"
 URINAL SIZE = 2'3" X 3'5" (EACH)

PLINTH HEIGHT = 1'6"
 ROOF HEIGHT = 7'0"
 WALL THICKNESS = 0'5"

PLINTH AREA = 74.39 Sft
 ROOF AREA = 92.13 Sft

OPENINGS:-

- i) Door (D) = 2'-6" X 7'-0"
 - ii) Ventilation (V) = 1'-6" X 1'-0"
- Brick work = 0'-10" X 0'-10"

STUB
FOUNDATION

FOR CONSTRUCTION OF
 WITH URINAL UNDER
 PROJECT COUNCIL.

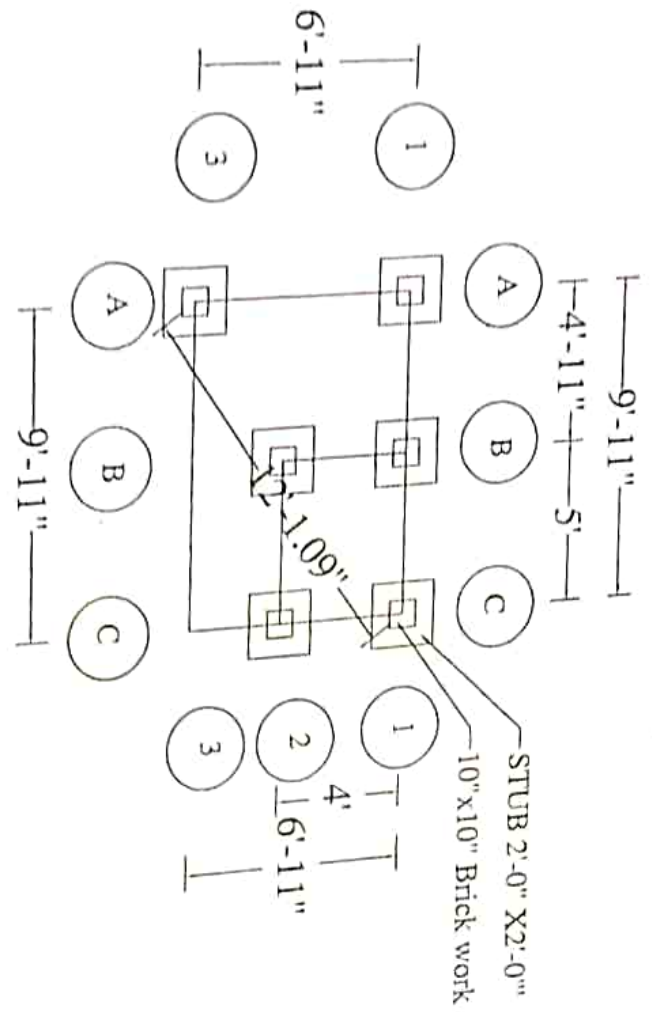
DRAWING SHEET NO :- 1
 SCALE :- N T S

JE
 BEPC PATNA

EE
 BEPC PATNA

CW/M
 BEPC PATNA

LAYOUT PLAN OF SINGLE UNIT TOILET WITH URINAL



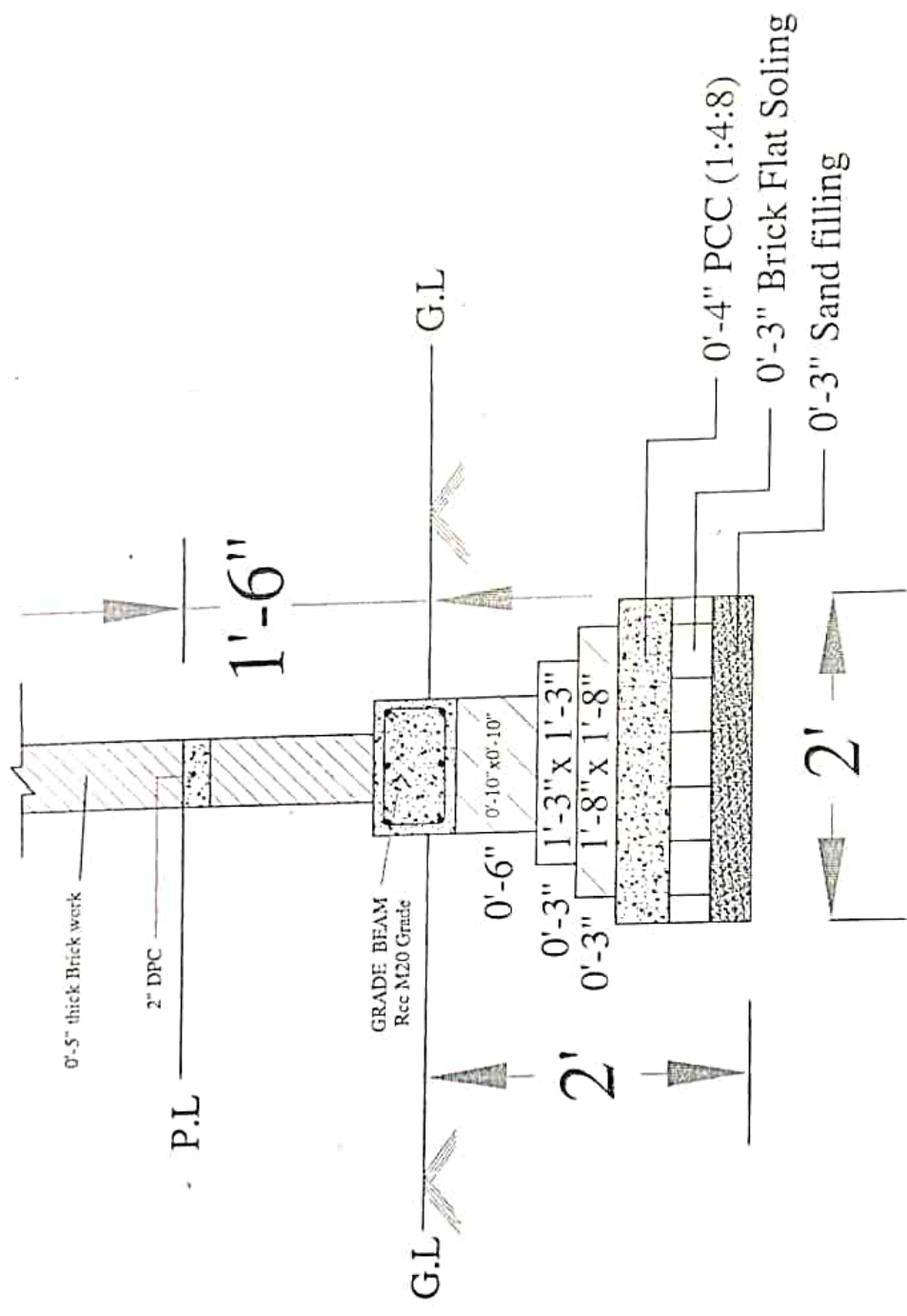
TOILET SIZE = 5'0" X 4'0"
 URINAL SIZE = 2'3" X 3'5" (EACH)

PLINTH HEIGHT = 1'6"
 ROOF HEIGHT = 7'0"
 WALL THICKNESS = 0'5"
 PLINTH AREA = 74.39 Sft
 ROOF AREA = 92.13 Sft

OPENINGS:-

- i) Door (D) = 2'-6" X 7'-0"
 - ii) Ventilation (V) = 1'-6" X 1'-0"
- Brick work = 0'-10" X 0'-10"

STUB
FOUNDATION



STUB FOOTING

STUB FOUNDATION

DRAWING FOR CONSTRUCTION OF
 ONE UNIT TOILET WITH URINAL UNDER
 BIHAR EDUCATION PROJECT COUNCIL

DRAWING SHEET NO :- 3
 SCALE :- N T S

Aradh
 JE
 BEPC PATNA

S. Singh
 EE
 BEPC PATNA

Pratik Mishra
 C.W.A.T
 BEPC PATNA